

Ball levers

Steel, blackened

SPECIFICATION

Types

- Type **K***: Straight lever with plain bore H7
- Type **L**: Angled lever with plain bore H7
- Type **M***: Straight lever with threaded bore
- Type **N**: Angled lever with threaded bore

* not available from stock, requires a minimum order quantity

Steel

- turned
- blackened

Ball knobs DIN 319 (see page 538)

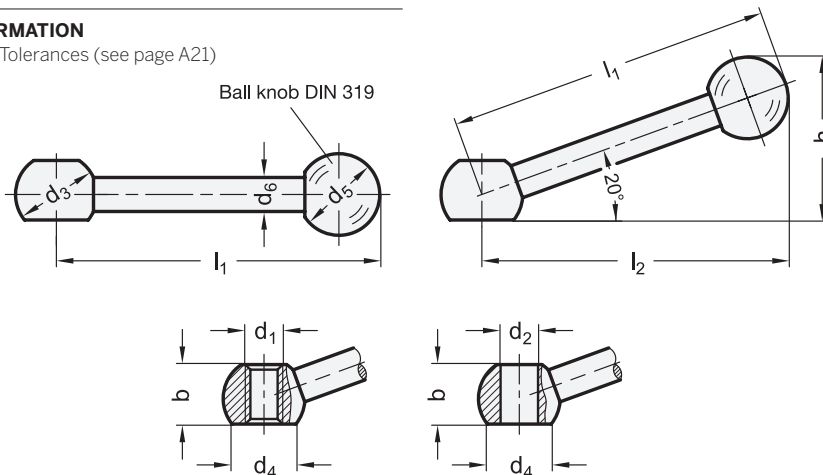
Plastic, black

INFORMATION

The official DIN standard sheet specifies additional sizes 200 - M24 / B24.

TECHNICAL INFORMATION

- ISO Fundamental Tolerances (see page A21)



DIN 6337

| Description | l1 | d1 | d2 H7 | b | d3 | d4 | d5 | d6 | h ≈ | l2 ≈ | ⚖ |
|--------------------|------|------|-------|------|----|------|----|----|-----|------|-----|
| DIN 6337-63-B8-K | 63* | - | B 8 | 12 | 16 | 12.5 | 20 | 8 | - | - | 32 |
| DIN 6337-80-B10-K | 80* | - | B 10 | 14.5 | 20 | 16 | 20 | 9 | - | - | 53 |
| DIN 6337-100-B12-K | 100* | - | B 12 | 18.5 | 25 | 20 | 25 | 11 | - | - | 100 |
| DIN 6337-125-B16-K | 125* | - | B 16 | 24 | 32 | 25 | 32 | 15 | - | - | 216 |
| DIN 6337-160-B20-K | 160* | - | B 20 | 30 | 40 | 31 | 40 | 18 | - | - | 415 |
| DIN 6337-63-B8-L | 63 | - | B 8 | 12 | 16 | 12.5 | 20 | 8 | 33 | 60 | 32 |
| DIN 6337-80-B10-L | 80 | - | B 10 | 14.5 | 20 | 16 | 20 | 9 | 40 | 76 | 53 |
| DIN 6337-100-B12-L | 100 | - | B 12 | 18.5 | 25 | 20 | 25 | 11 | 50 | 95 | 100 |
| DIN 6337-125-B16-L | 125 | - | B 16 | 24 | 32 | 25 | 32 | 15 | 63 | 119 | 216 |
| DIN 6337-160-B20-L | 160 | - | B 20 | 30 | 40 | 31 | 40 | 18 | 80 | 152 | 415 |
| DIN 6337-63-M8-M | 63* | M 8 | - | 12 | 16 | 12.5 | 20 | 8 | - | - | 32 |
| DIN 6337-80-M10-M | 80* | M 10 | - | 14.5 | 20 | 16 | 20 | 9 | - | - | 54 |
| DIN 6337-100-M12-M | 100* | M 12 | - | 18.5 | 25 | 20 | 25 | 11 | - | - | 102 |
| DIN 6337-125-M16-M | 125* | M 16 | - | 24 | 32 | 25 | 32 | 15 | - | - | 223 |
| DIN 6337-160-M20-M | 160* | M 20 | - | 30 | 40 | 31 | 40 | 18 | - | - | 425 |
| DIN 6337-63-M8-N | 63 | M 8 | - | 12 | 16 | 12.5 | 20 | 8 | 33 | 60 | 32 |
| DIN 6337-80-M10-N | 80 | M 10 | - | 14.5 | 20 | 16 | 20 | 9 | 40 | 76 | 54 |
| DIN 6337-100-M12-N | 100 | M 12 | - | 18.5 | 25 | 20 | 25 | 11 | 50 | 95 | 102 |
| DIN 6337-125-M16-N | 125 | M 16 | - | 24 | 32 | 25 | 32 | 15 | 63 | 119 | 223 |
| DIN 6337-160-M20-N | 160 | M 20 | - | 30 | 40 | 31 | 40 | 18 | 80 | 152 | 425 |

* not available from stock, requires a minimum order quantity.

